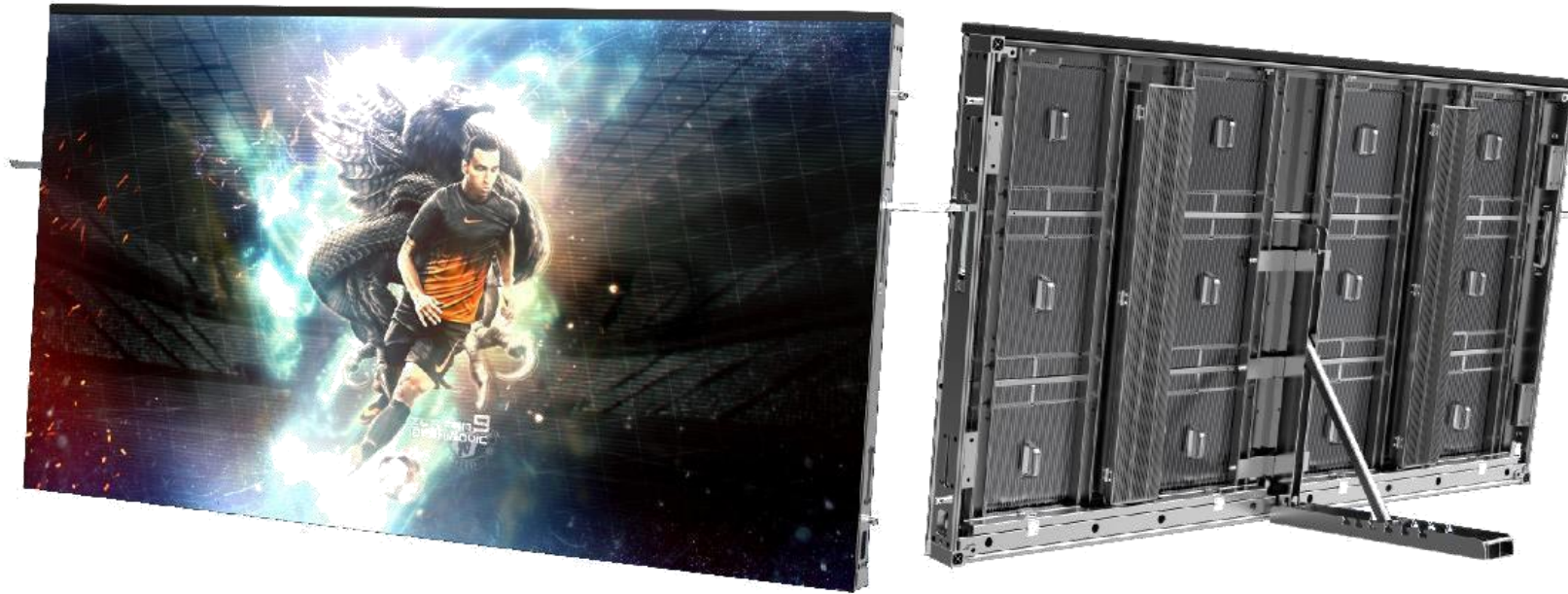


SS1 Ultra Series

(1600×900mm)

Perimeter LED Screen for Stadium - P6.6, P8.3, P10




 Soft Plastic Mask

 Big Viewing Angle

 Multifunctional

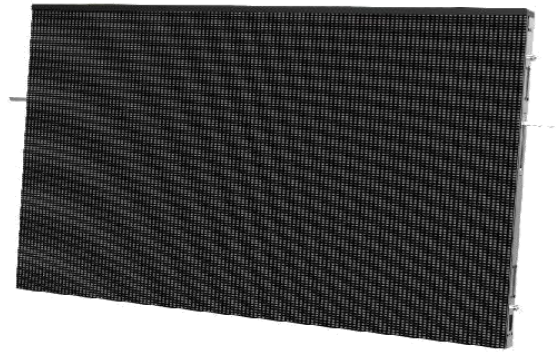
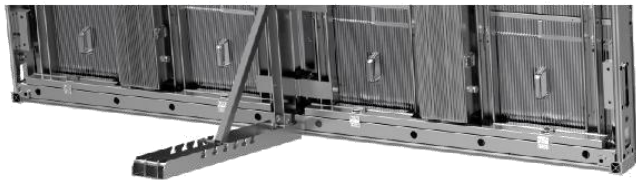
 IP68/IP66

 High Quality SMD LED

 1,920Hz ~ 3,840Hz

 13bits ~ 16bits

 6,000nits ~ 10,000nits



Emergency Access Design

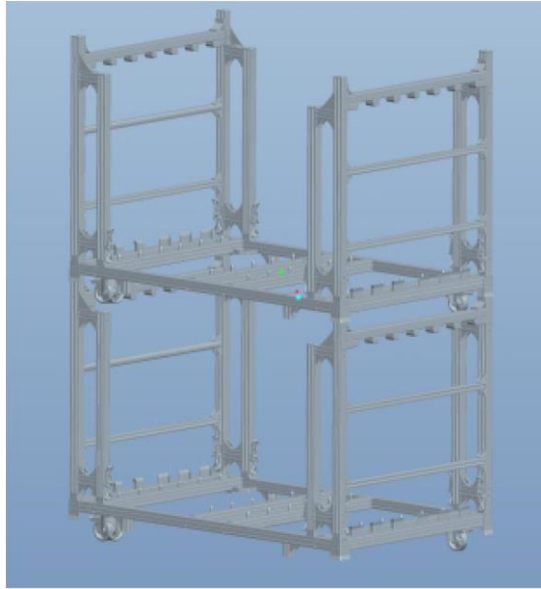
It is also called safe door design. The LED safety door display cabinet can rotate on the horizontal plane, so as to achieve the switch of the LED stadium safety door opening and closing state. It can respond to the occurrence of emergency.

Player Protective Design

This product uses Aluminum Alloy, a private mold processing soft mask with special craftsmanship. It has excellent anti-collision capability.

Coupled with a top soft pillow to protect the players from injury when they hit the screen in the stadium by accident.





Convenient Stadium Screen Carts

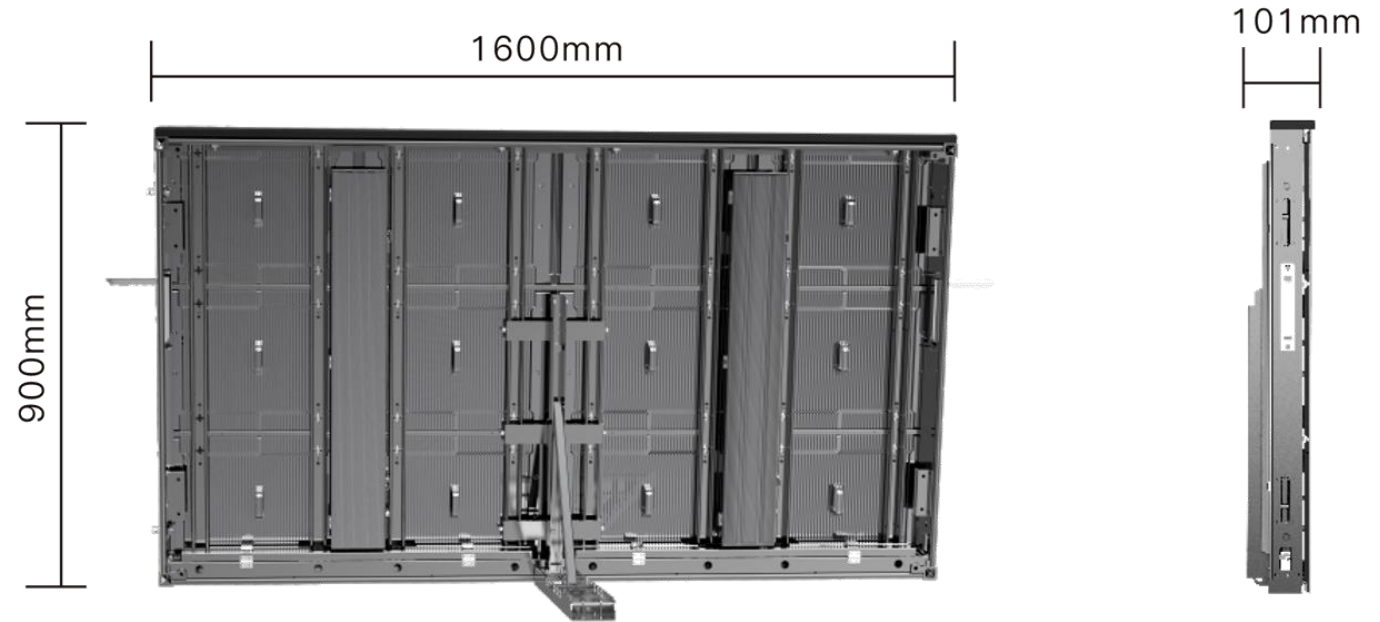
The carts are specially designed for the perimeter LED screens, to put the displays into and transport the displays. Putting panels in carts is the easiest method to load and unload.

Cart: Pack 4 Panels, the size is 900*1600mm.

Cart: Two carts can be stacked.

UEFA/FIFA Standard

1600mmx900mm cabinet size. Our SS1 Pro series perimeter LED screen meets the UEFA standard, and we have sold many perimeter screens to different European stadiums.





Light Weight and Fast Installation

Cabinet weight is only 45kg. The high-precision die-casting aluminum cabinet is adopted. Compared with the traditional one, the perimeter led screen's cabinet is quicker, and it has better splicing effect.



High Protective Grade Front IP68/ Rear IP66

SS1 Ultra series adopts high quality conformal coating, so the component is effectively moisture-proof and dust-proof. Therefore, the screen can be used in severe indoor and outdoor environments.





High Refresh Rate & Wide Viewing Angle

The viewing angle of our sports LED display can be up to 170 degrees. With the high refresh rate of 3840Hz, the visual effect is excellent when we play the videos or images.

High Brightness up to 10000nits

Our perimeter LED screen's brightness is up to 5500nits even higher. Product Passed All Certifications Our products have been certified by CE (including EMC & LVD), RoHS, ETL, FCC, CB, IECCE, KC, PSE, etc.



Application Fields

On the basis of its superior performance and unique design, the perimeter led screen can be used indoors and outdoors. It is always used in the stadium as:

- **Perimeter Banner Screen;**
- **Score Board;**
- **Live Feed Video Screen;**



SS1 Ultra Series Parameter

Item	P6.6	P8.3	P10
Pixel Pitch	6.67mm	8.33mm	10mm
LED Type	SMD 2727	SMD 3535	SMD 3535
Module Resolution	60dots × 45dots	48dots × 36dots	40dots × 30dots
Driving Mode	Constant Current	Constant Current	Constant Current
Module Pixels	2,700dots	1,728dots	1200dots
Module Size	400mm × 300mm	400mm × 300mm	400mm × 300mm
Cabinet Size	1,600mm × 900mm × 101mm	1,600mm × 900mm × 101mm	1,600mm × 900mm × 101mm
Cabinet Resolution	240dots × 135dots	192dots × 108dots	160dots × 90dots
Pixel Density	22,500dots/m ²	14,400dots/m ²	10,000dots/m ²
Minimum Viewing Distance	≥6m	≥8m	≥10m
Brightness	6,500nits~9,500nits	6,500nits~10,000nits	6,500nits~10,000nits
IP Grade	Front IP68 / Rear IP66	Front IP68 / Rear IP66	Front IP68 / Rear IP66
Refresh Rate	≥18000	≥18000	≥18000
Gray Scale	14bits~24bits	14bits~24bits	14bits~24bits
Viewing Angle	H.170° / V.110°	H.170° / V.110°	H.170° / V.110°
Contrast Ratio	4000: 1	4000: 1	4000: 1
Maximum Power Consumption	630W/m ²	550W/m ²	550W/m ²
Average Power Consumption	250W/m ²	200W/m ²	200W/m ²
Input Voltage	AC260V~AC90V @ 50Hz / 60Hz	AC220V~AC110V @ 50Hz / 60Hz	AC220V~AC110V @ 50Hz / 60Hz
Operating Temperature	-20℃~60℃	-20℃~60℃	-20℃~60℃
Operating Humidity	10%~90%	10%~90%	10%~90%
Cabinet Material	Aluminum alloy	Aluminum alloy	Aluminum alloy
Cabinet Weight	45kg/panel	45kg/panel	45kg/panel
Operating System	Windows (Win7, Win10, etc.)	Windows (Win7, Win10, etc.)	Windows (Win7, Win10, etc.)
Signal Source Compatibility	DVI, HDMI1.3, DP1.2, SDI, HDMI2.0, etc.	DVI, HDMI1.3, DP1.2, SDI, HDMI2.0, etc.	DVI, HDMI1.3, DP1.2, SDI, HDMI2.0, etc.